

64-60 Push-to-Close Latch

Pull-to-open · Paddle latch · Heavy-duty pivot

Features

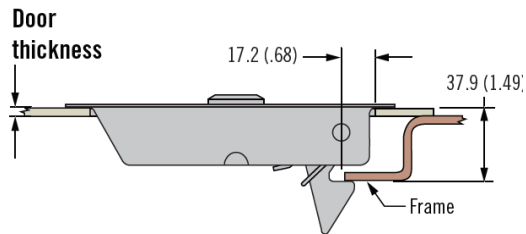
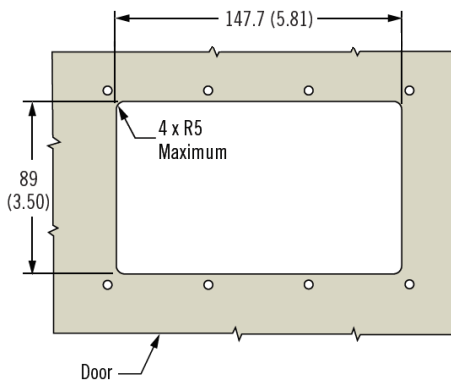
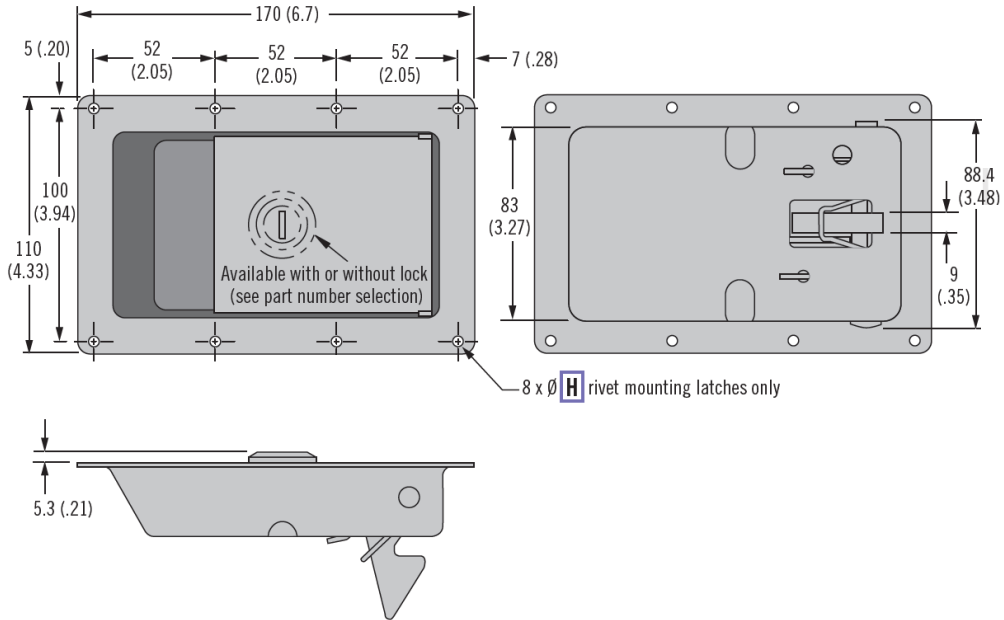
- Robust design resists binding from dirt and debris
- Multiple mounting styles

Material

- Steel, zinc plated or black powder coated
- Slide bolt and lock assembly: Zinc plated or powder coated

Accessories

- Flat key, keyed alike 14603 (2 keys per ring): PK-10-01-14603



64 - 60 - 5 L H - M

- L** Lock style
 - 0 Non-locking
 - 1 Key-locking keyed alike 14603 (2 Flat keys supplied)
- H** Housing
 - 0 Weld
 - 1 Rivet through hole 4.9 (.19)
 - 2 Rivet through hole 5.2 (.20)
- M** Material
 - 10 Steel, zinc plated
 - 50 Steel, black powder coated